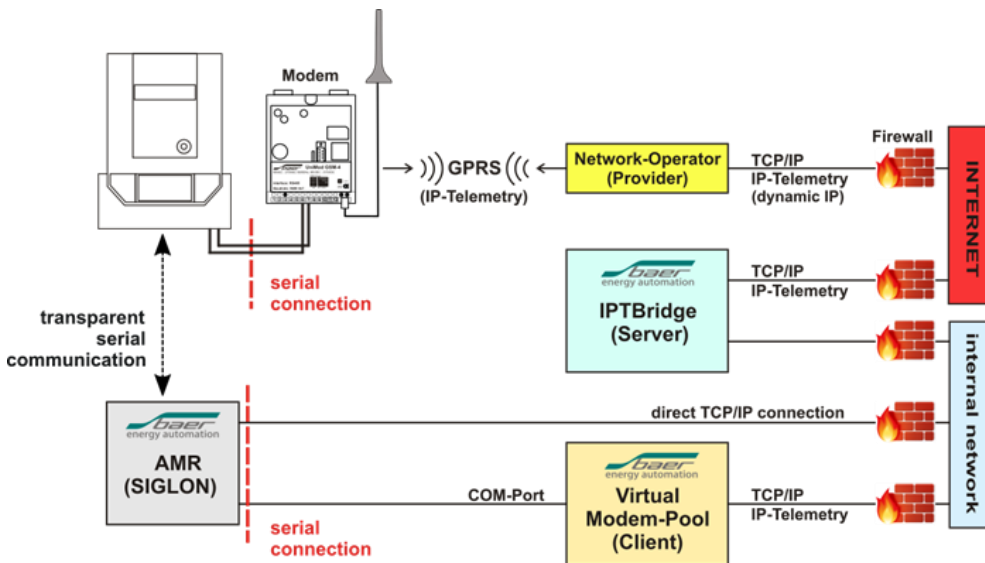
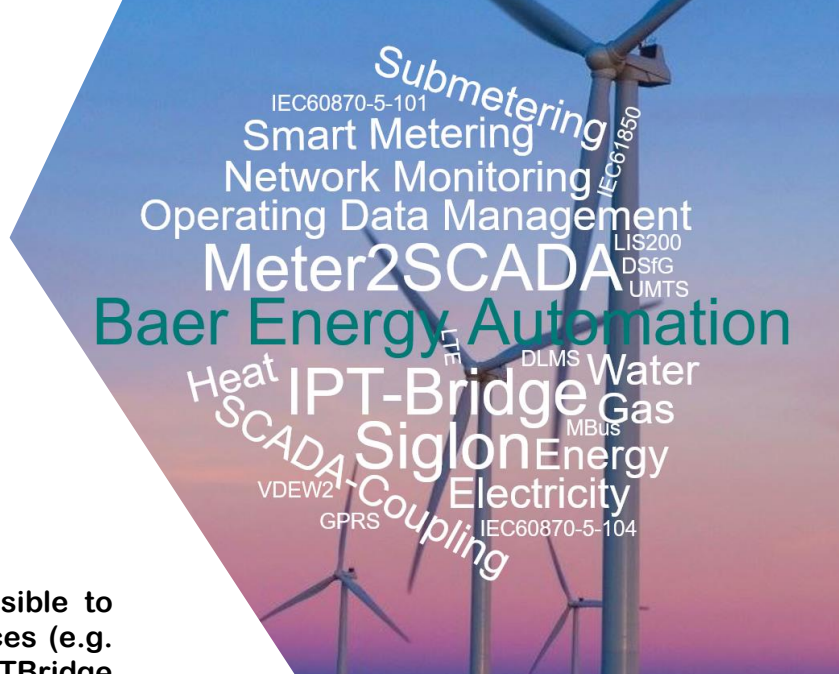


AMR via IP

# IPT-Bridge

With the switching centre IPTBridge it is possible to communicate with thousands of IP-based devices (e.g. GPRS-modem, LAN-modem) via internet. The IPTBridge acts as a switching centre between the devices (modems) and the AMR-system and is able to manage up to 50000 devices.



## Supported protocols:

### IP Telemetry:

Actaris / Itron SPARKLINE III  
GPRS / SPARKLINE KM, Baer  
UniMod GSM-3+/GSM-4/LTE, Dr.  
Neuhaus ZDUE-GPRS- / DC- /  
DSL-MUC, Landis+Gyr  
CU-P3x/CU-P4x/CU-U52/CU-L52,  
EMH Variomod Ethernet / GPRS,  
Kamstrup GPRS module, NZR  
UnimodC-IPT

### L+G protocol:

Landis+Gyr E2x / P2x / P3x

### TSC protocol:

Actaris / Itron SPARKLINE III  
GPRS Modem, Elster DL2xx /  
EM260 / FE260

### BAER protocol:

Baer UniMod GSM-3+/GSM-4/LTE

- ▶ M2M communication
- ▶ Simple integration in existing systems
- ▶ Manage up to 50.000 devices
- ▶ Modem connection or leased line
- ▶ According to SIN 43863-4 standard
- ▶ Transparent communication
- ▶ Push mode according to DIN 43863-4
- ▶ Multi-user
- ▶ Remote Administration
- ▶ Web-Interface to check the state

Test the IPTBridge without obligation and free of charge. On request, we will provide you with two accounts on our test system. So you can test our IPTBridge with your devices and your AMR-system without obligation and free of charge.