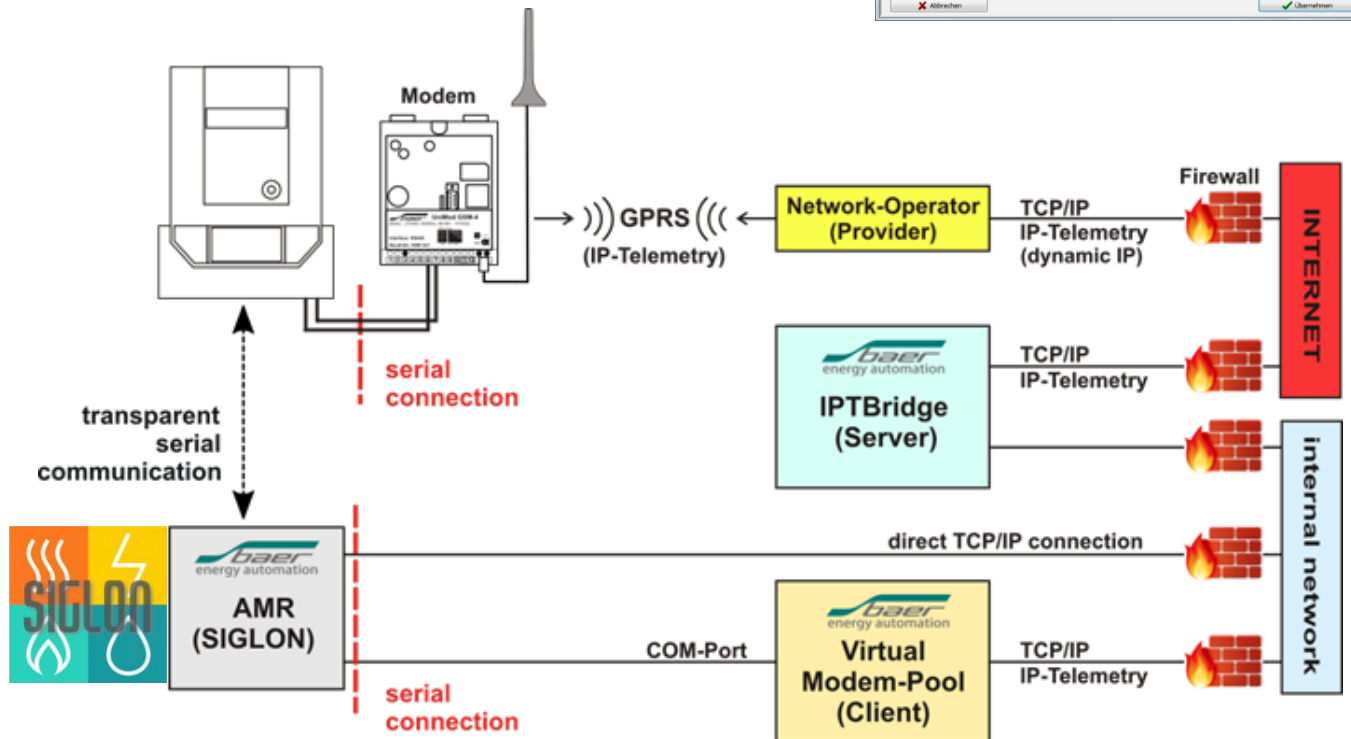
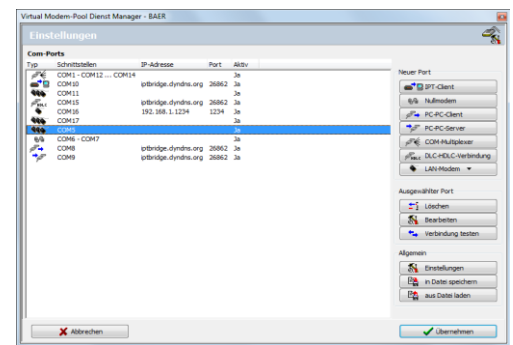




AMR via TCP/IP

Virtual Modem-Pool

The Virtual Modem-Pool software converts the serial communication into TCP/IP communication (Intranet/Internet) and establishes a communication line between AMR-system and IPTBridge. With these software components, the IPTBridge and the Virtual Modem-Pool, it is possible to extend existing AMR solutions in an easy way.



- ▶ IPT-Client: connection to a GPRS-Modem (e.g. UniMod GSM-4)
- ▶ Null-Modem: connection between two virtual COMs at one PC's
- ▶ PC-PC-Client or Server: connection between several PCs via LAN
- ▶ COM-Multiplexer: several COMs via one serial communication line
- ▶ LAN-Modem: connection to an IPT-Device (e.g. UniMod Ethernet)